

Essential Fabric Display – 1500 Straight

Assembly Instructions



Overview:

Essential fabric displays feature basic tubular frames coupled with pillowcase fabric graphics. The economy tube frames come with a one year limited warranty. Simply pull the graphic over the frame.

Features and Benefits:

- | | |
|--------------------------------|---|
| - Straight aluminum tube frame | - Carry bag included |
| - Easy to store and ship | - Bungee cords for easy assembly |
| - Quick to set up | - One year limited hardware warranty against manufacturer defects |
| - Pillowcase fabric graphic | |

Hardware Dimensions:

Assembled unit: 61.81" w x 92" h x 17.72" d 1570mm(w) x 2337mm(h) x 450mm(d)	Approximate weight with cases: 22 lbs / 10.0 kg
--	--

Graphic Material:

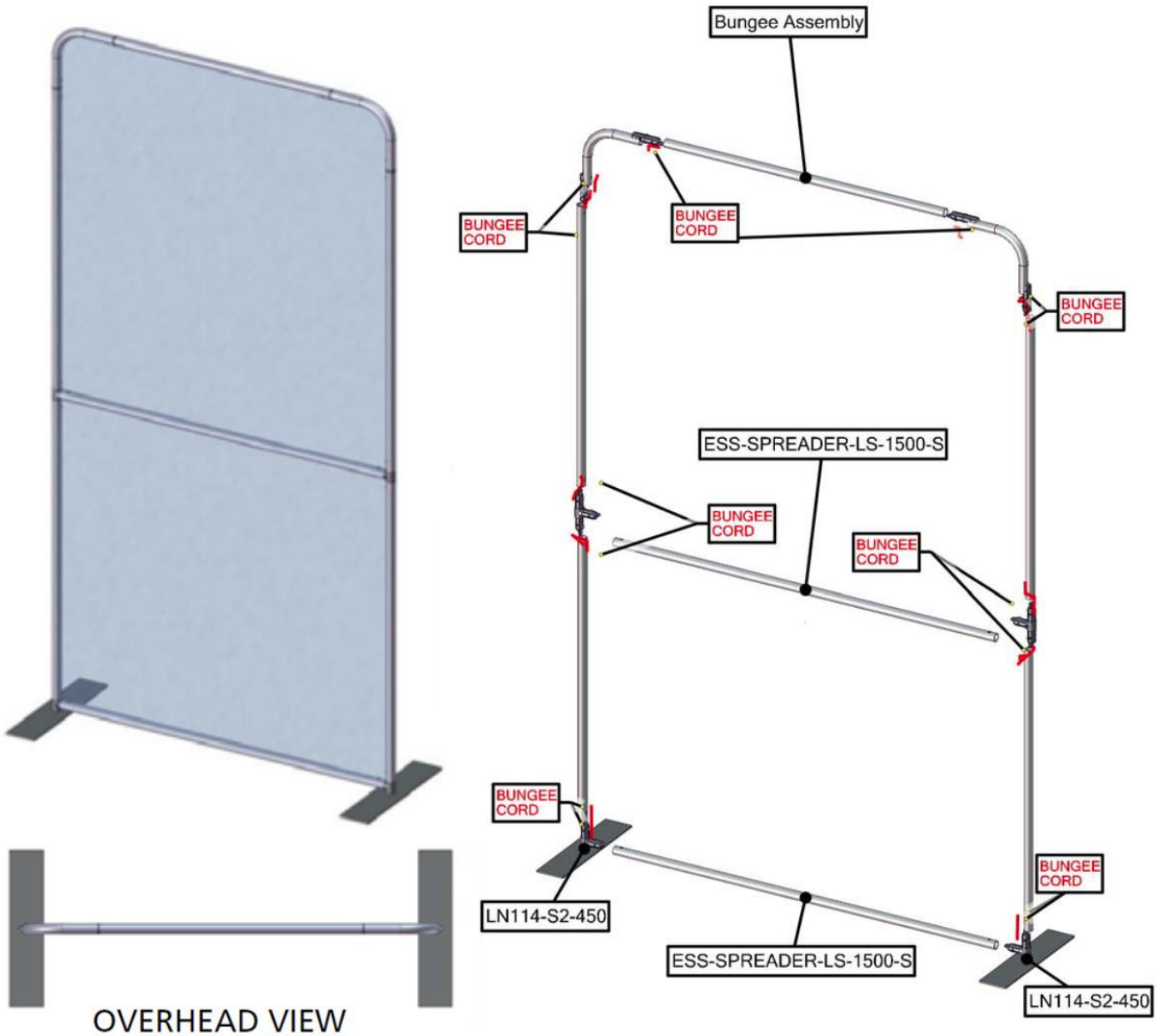
Dye-sublimated slip-over graphics

Items Included:

Hardware						
	6MM HEX KEY x1	LN114-S2-450 x2	LN114-SCRW x2 (included with Bungee Assembly)	ESS-SPREADER-LS-1500-S x2	Bungee Assembly x1	
	Graphics					
		FMLT-ESS-S-1500-G x1				

Essential Fabric Display – 1500 Straight Assembly Instructions

Assembly View:

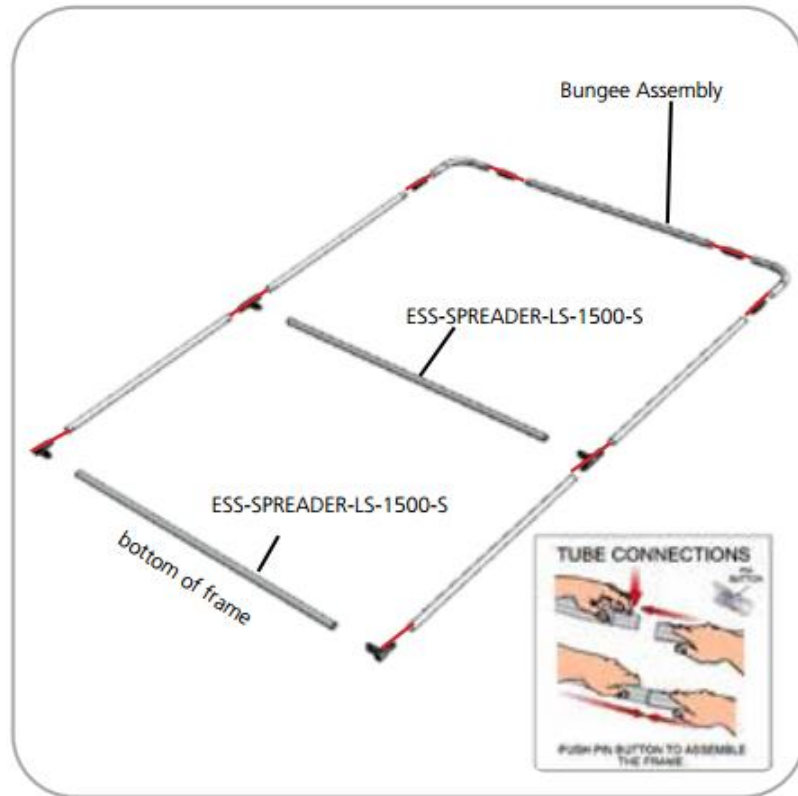


Essential Fabric Display – 1500 Straight Assembly Instructions

Step by Step Instructions:

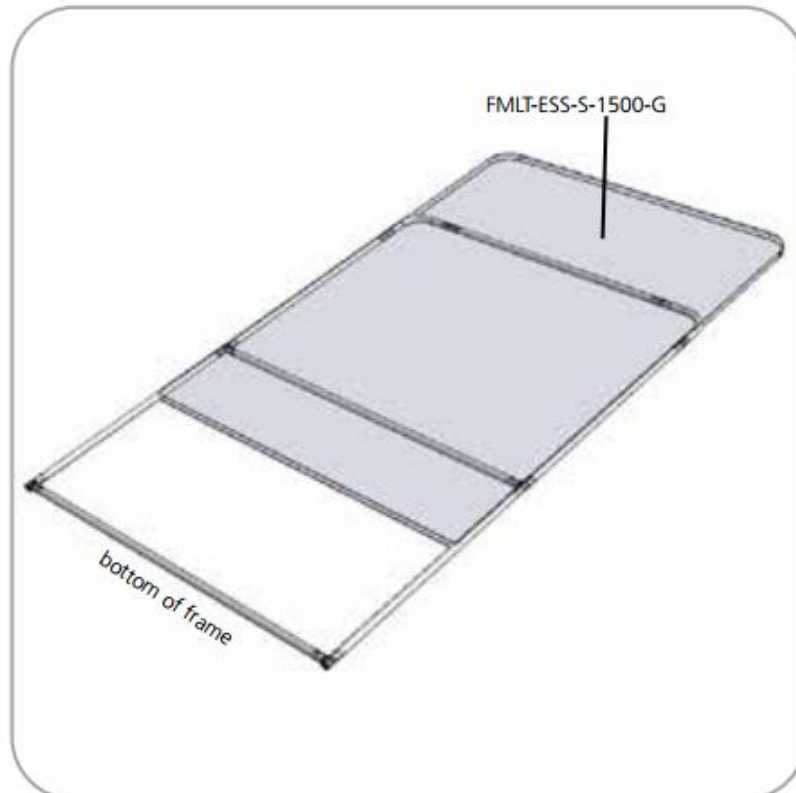
Step 1.

Assemble the bungee frame.
Attach the long spreaders.



Step 2.

Slip the graphic over the frame.

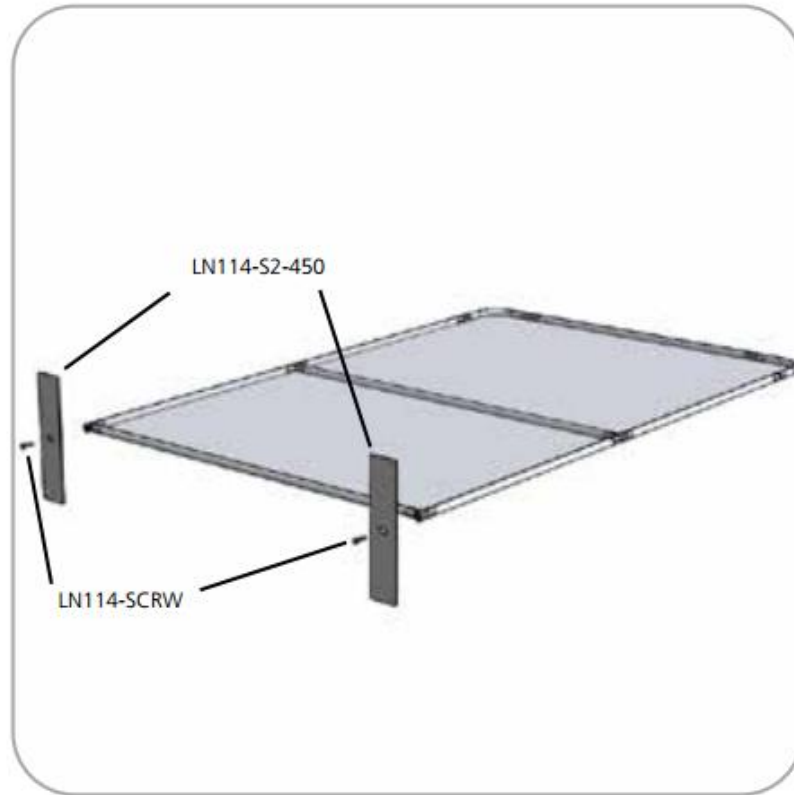


Essential Fabric Display – 1500 Straight

Assembly Instructions

Step 3.

Attach the stabilizing bases.



Step 4.

Setup is complete.

